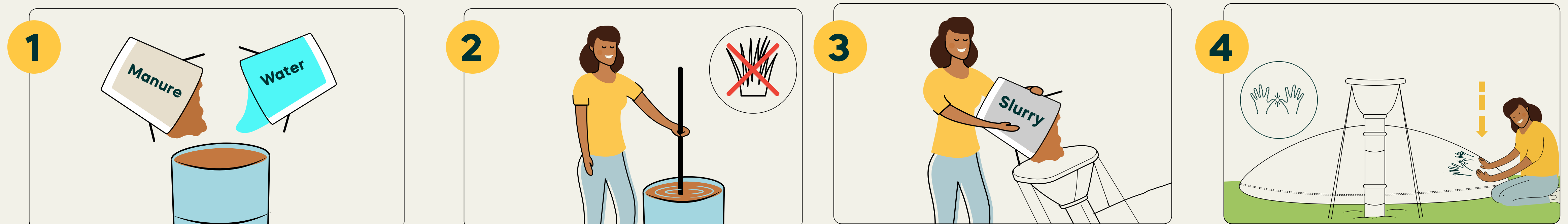


Farmers Biogas System

The Homebiogas Farmers System is for small-scale farmers who have livestock and field crops, and want to replace polluting energies with clean energy. The farmers system converts livestock manure into biogas for cooking and a variety of other purposes. The system produces a liquid biofertilizer rich in micronutrients that increase the yield and the health of the crops.

Daily feeding

The Farmers Biogas System is made to be fed with cow or pig animal manure. **Do NOT feed food waste.**



1 Feed animal manure diluted with water

2 Mix with a stick

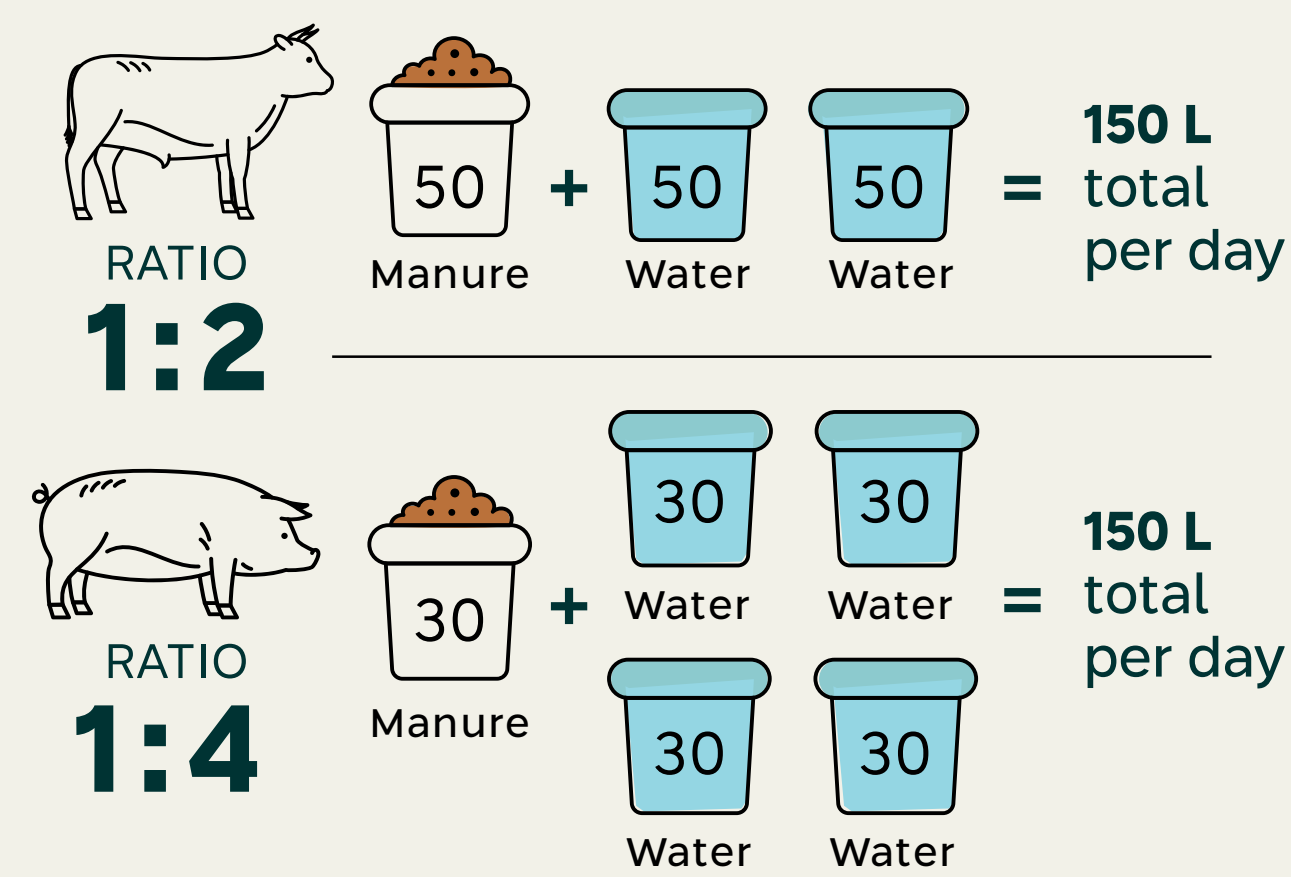
3 Feed the system

4 Agitate daily

Don't forget and take out the floating straw/stones.

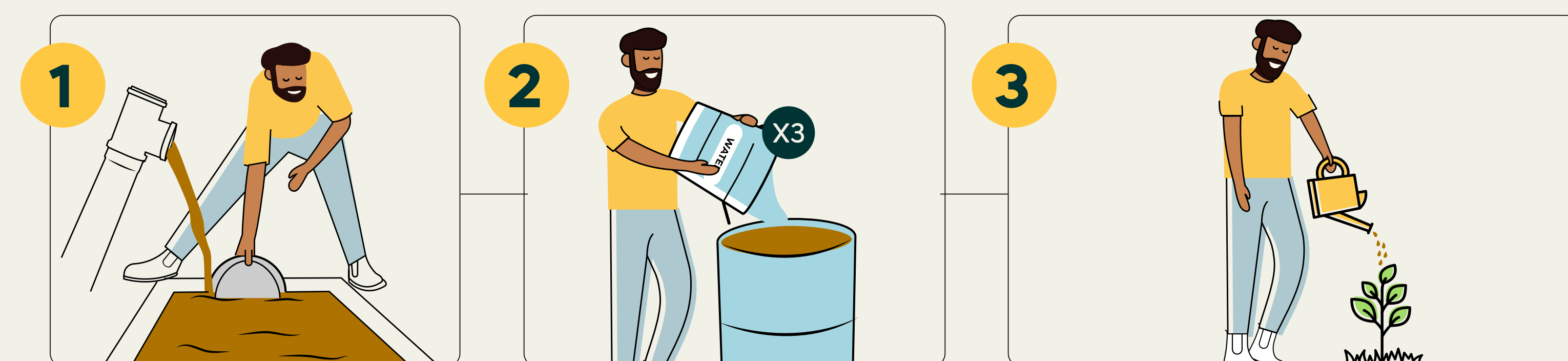
Keep the sink clean by rinsing it with water after each use.

Agitate the system with the help of your hands on the marks.



Fertilizer use

HomeBiogas fertilizer is a high quality liquid fertilizer produced from HomeBiogas systems. When applied, the fertilizer can accelerate plant growth and increase resilience to diseases.



1 Collect the liquid fertilizer

2 Diluted with water

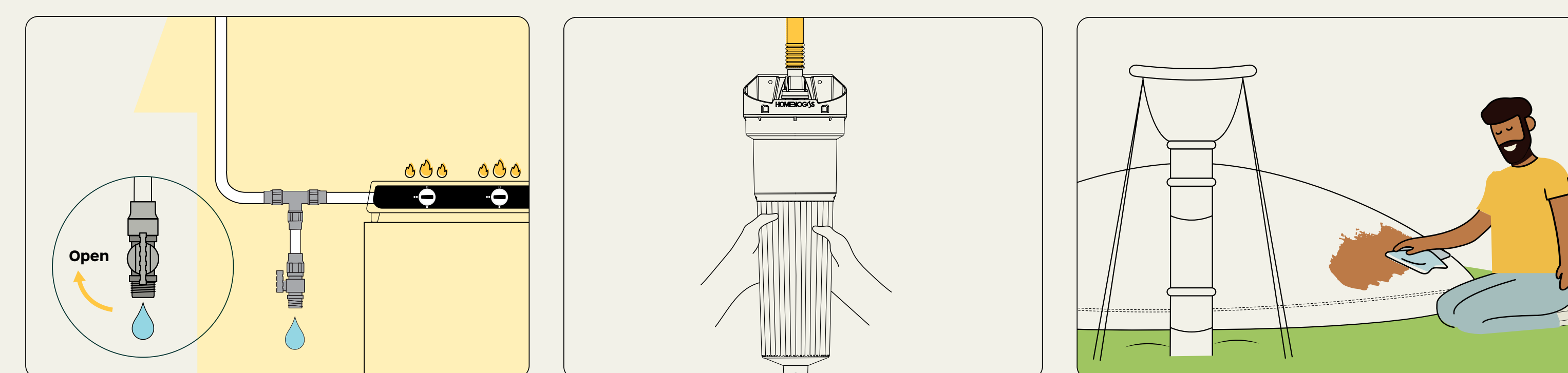
3 Use the fertilizer to grow your plants

with a bucket from the fertilizer pit.

The fertilizer should be diluted with water at a 1:3.

Fertilizer can be applied directly to the soil or to the plants.

Operation & Maintenance



Remove condensed water

Replace the Filter Cartridge every year*

Clean the system from dust

Biogas contains water vapor that may condense during cooler nights and accumulate in the gas pipes, blocking gas flow. If your stove's flame is sputtering, you should empty the water from the water trap.

The biogas filter cartridge contains elements that remove the H₂S (Hydrogen Sulfide) from the biogas. The filter prevents stove corrosion, and health hazards and removes the "rotten egg" smell of the gas.

Dust accumulation on your biogas system can reduce its efficiency by blocking the sun's rays. Ensure optimal performance by cleaning it once in a week with water and a cloth.

*If the system is fed with pig manure, needs to replace up to every 8 months.

Safety

- Use only devices compatible with or adapted for biogas use.
- Do not drink the liquid effluence.
- No open flames or sparks within 5 meters (15 ft.) from the system.
- Do not place any object on top of the system.
- (RECOMMENDED) Build a fence around the system to protect it from children and animals.