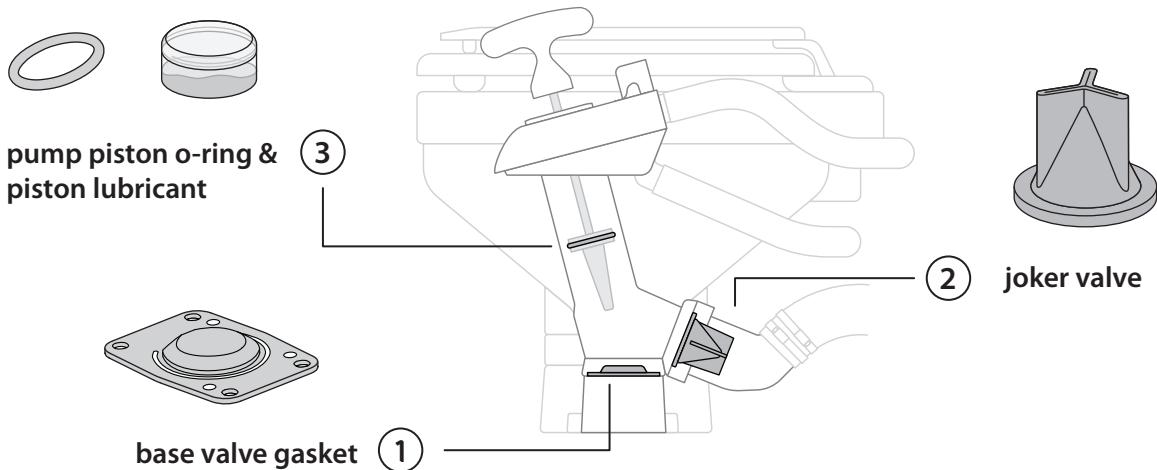


bio-toilet service kit instruction manual

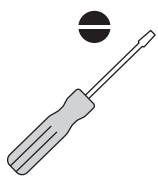
version 280222

HOME BIOGAS®

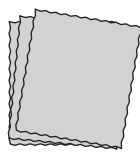
The service kit contains replacement parts for 3 essential components of the toilet, which need to be changed periodically to ensure that you continue to get the best performance from your Homebiogas Bio-toilet.



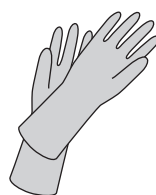
tools/equipment needed for installation



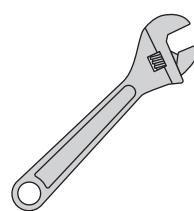
screwdriver (flat)



towels/rags to absorb liquids



rubber gloves to protect hands



wrench/vise to open piston housing cap



stiff cleaning brush/
cleaning scrub/steel scrub



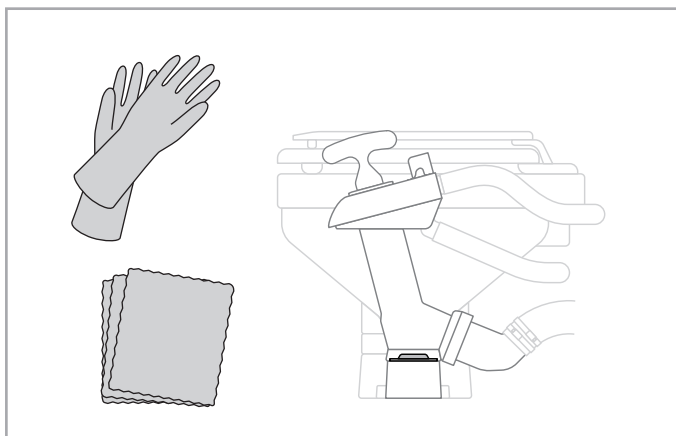
Before starting work on the Bio-toilet, carry out the following actions:

- Ensure the cap of the vented loop is open (not closed completely)
- Pump enough clean water to completely flush out the flexible pipe connecting the toilet to the system (may require a few fills and flushes of the bowl depending on pipe length)

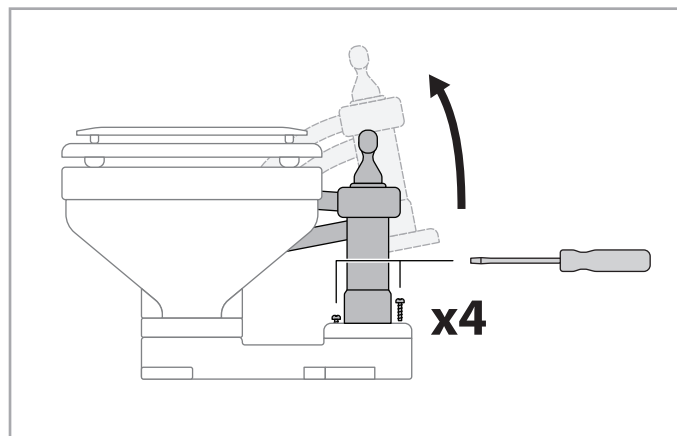
This guide describes the handling of components that have been in contact with sewage/wastewater. Make sure to wear gloves/protective equipment and take appropriate safety precautions when working on these components! Sanitize tools and the work area after servicing, and properly dispose of any cleaning items.

1

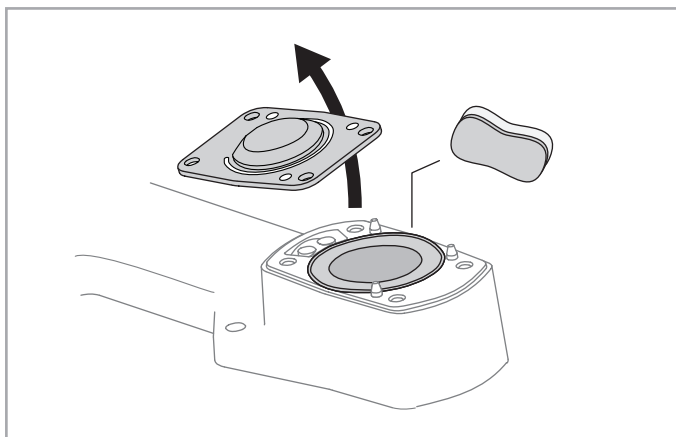
Changing the Base Valve Gasket



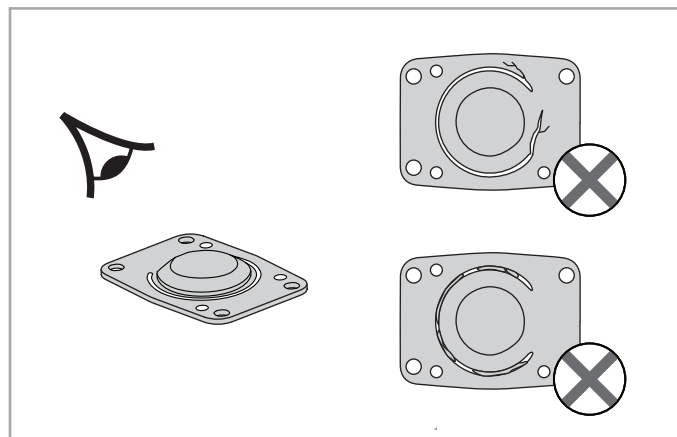
1. Wear gloves/ protective equipment. Place towels or rags around the pump assembly to absorb liquids that may spill out during disassembly.



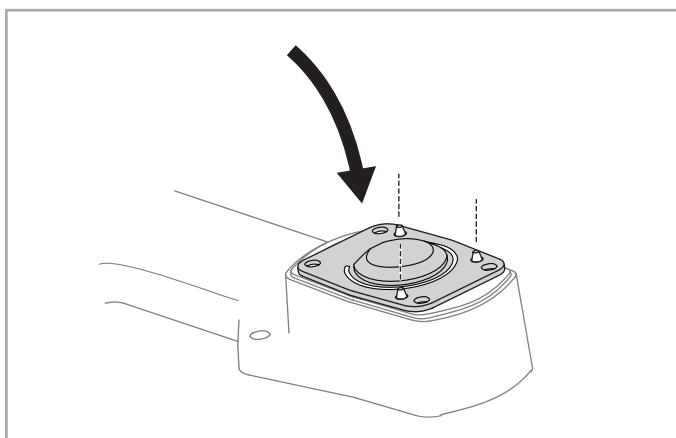
2. Use a screwdriver to loosen and remove the four screws at the base of the pump assembly, and lift the top of the pump assembly from the base.



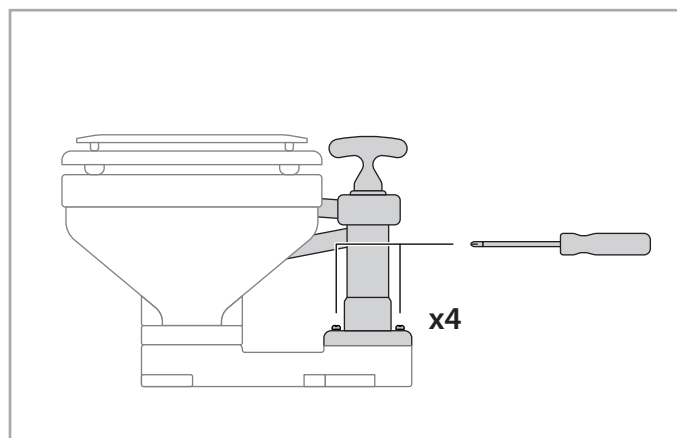
3. Remove the old base valve gasket. Clean and rinse off any sediment built up on and around the valve seating.



4. Clean and inspect the gasket for wear and damage. The rubber should not be cracked, brittle, or deformed, and the c-shaped slit should not be clogged with scale/sediment buildup.



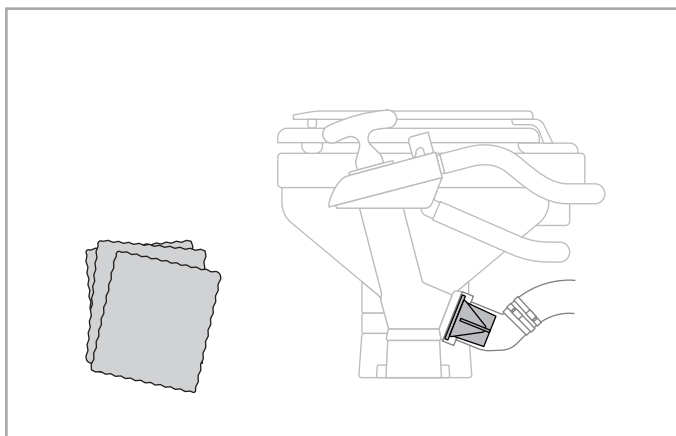
5. If the the gasket is damaged or too worn, dispose of it safely, then install the new gasket from the kit. Fit the gasket into its slot on the base, aligning the holes in the gasket with the 3 pins.



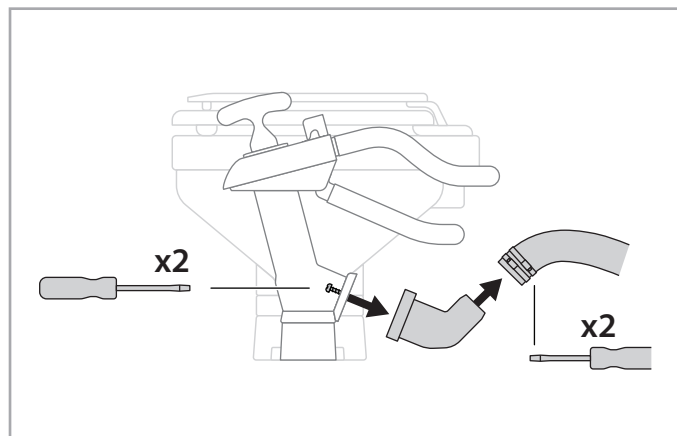
6. Replace the top of the pump assembly onto the base and tighten the screws. Note: Try to find the original threads in the plastic to prevent stripping the plastic base !

2

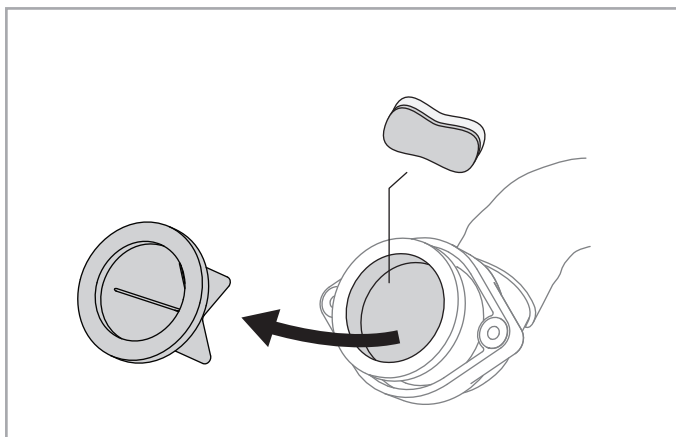
Changing the Joker Valve



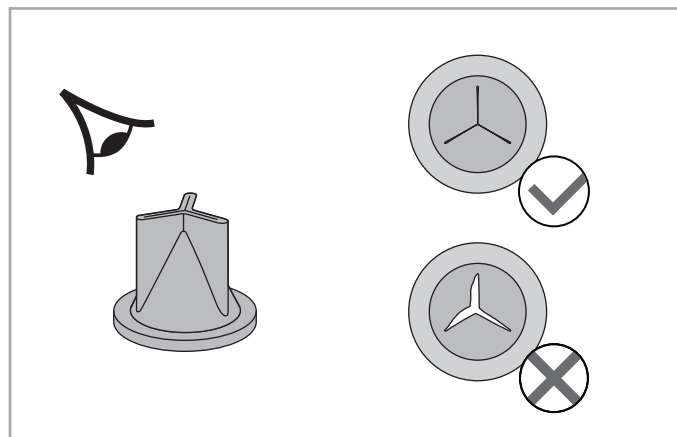
1. Place towels/rags or a pan under the discharge elbow to catch residual liquids that may spill out during disassembly.



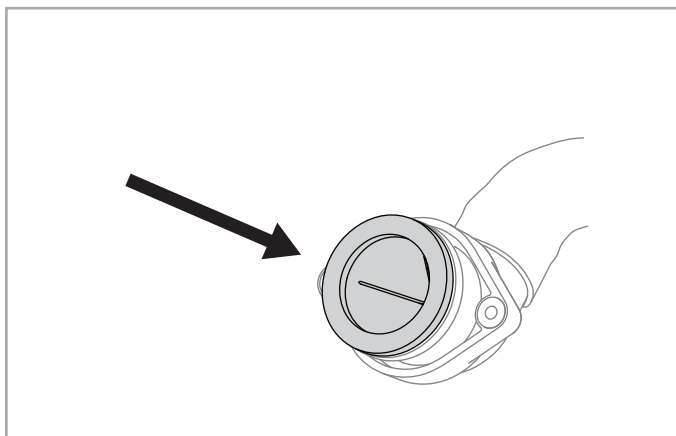
2. Loosen pipe clamps and disconnect flexible waste pipe from the discharge elbow, then unscrew and disconnect discharge elbow from pump assembly.



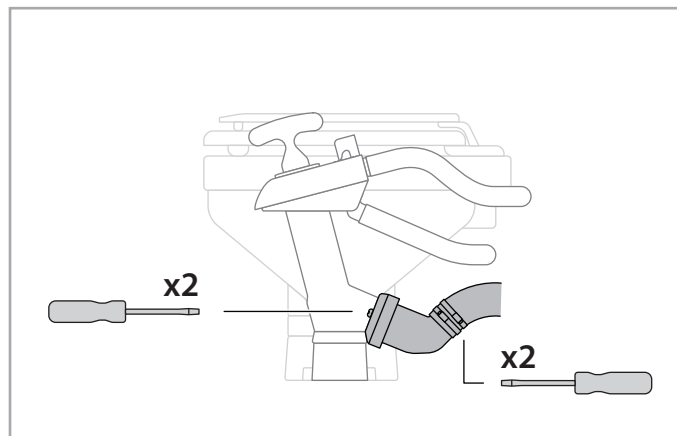
3. Remove the old joker valve. Clean and rinse off any sediment built up on and around the valve seating.



4. Clean and inspect the joker valve for wear and damage. The rubber should not be cracked, brittle, or deformed. The valve slits should be closed when held up to the light.



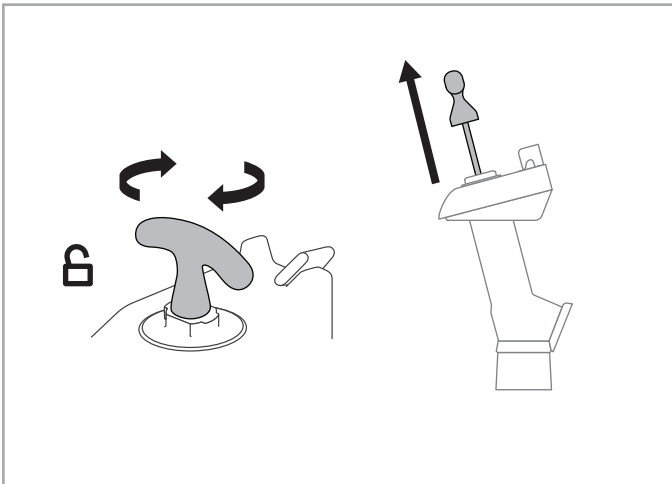
5. If the the valve is damaged or too worn, dispose of it safely, then install the new valve from the kit. Insert the joker valve into its seating in the discharge elbow.



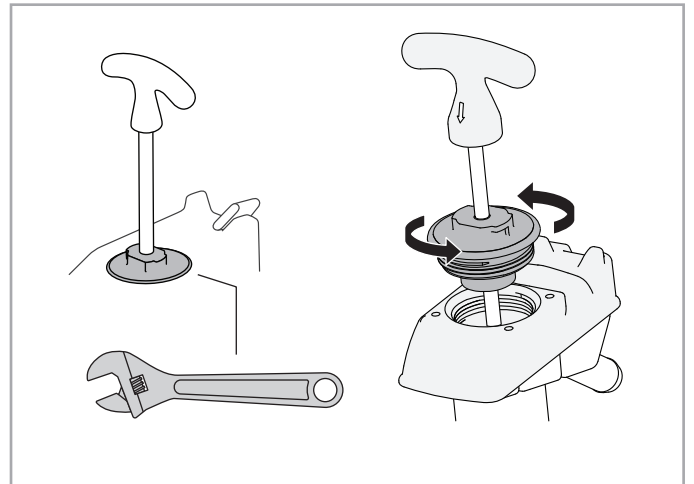
6. Insert the discharge elbow back in place and fasten to the pump assembly with its two screws. (Try to find the original threads in the plastic to avoid stripping the plastic). Connect the waste pipe back to the discharge elbow.

3

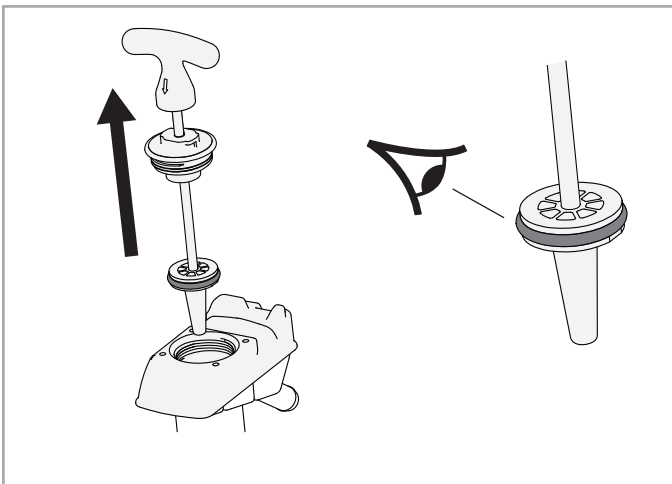
Changing the Pump Piston O-ring



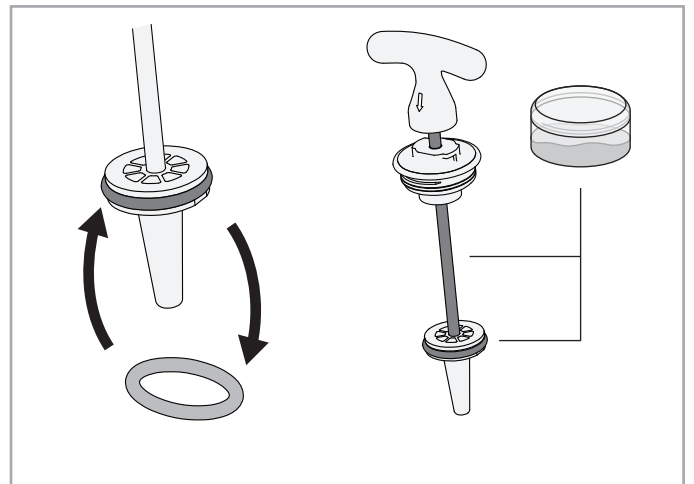
1. Turn pump clockwise to the Unlock position and lift the pump handle. **Take care not to scratch or damage the piston rod in the next few steps!**



2. Use a wrench/vise to grip the flat section of the piston seal housing cap. **Do not grip the piston rod!** Turn anticlockwise to loosen and remove the cap.



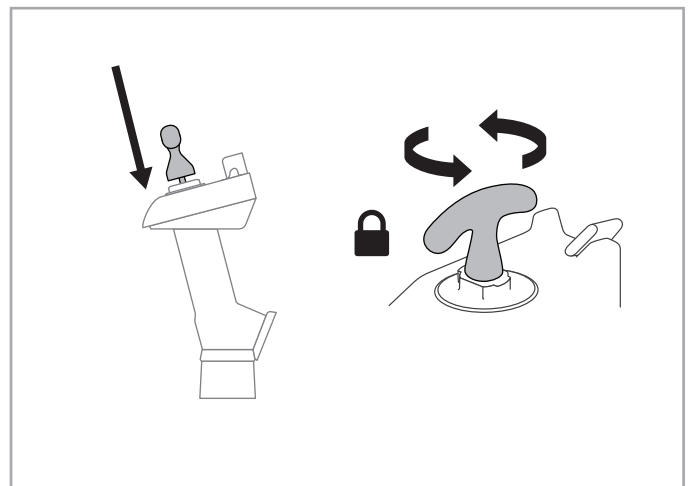
3. Lift the pump piston, together with the housing cap, out of the chamber.



4. Replace the O-ring from the pump piston with the new one from the service kit. Apply lubricant to the pump piston and the new piston o-ring.



5. Slide the pump piston back into the chamber, and screw the seal housing cap back into place (the 'Lock' positions should be at 9 and 12 o'clock).



6. Push down pump fully and turn anticlockwise back to the Lock position.